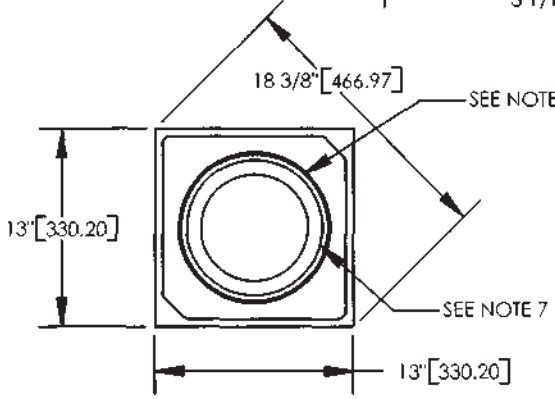


ARCHITECTURAL VIEW
SCALE 1/25



TUSCAN BASE

- NOTES:
1. DIMENSIONS WITHIN THE PARENTHESES ARE METRIC UNITS (millimeters) or (Kg=Kilograms)
 2. MATERIAL: FIBERGLASS REINFORCED POLYMER (FRP)
 3. WEIGHT. COLUMN: 83 Lb. (37.6 Kg)
CAP: 8 Lb. (3.6 Kg)
BASE: 15 Lb. (6.8 Kg)
 4. MATERIAL THICKNESS. COLUMN: 3/8" (9.5)
 5. INSIDE DIAMETER AT TOP OF COLUMN: 7" (177.8)
 6. OUTSIDE DIAMETER AT TOP OF COLUMN: 7 3/4" (196.9)
 7. INSIDE DIAMETER AT BOTTOM OF COLUMN: 8 7/8" (225.4)
 8. OUTSIDE DIAMETER AT BOTTOM OF COLUMN: 9 5/8" (244.5)
 9. TAPER STARTS 33" (838.2) FROM BOTTOM OF COLUMN.
 10. MAXIMUM LOAD BEARING LIMIT: 14000 Lbs. (6350.3 Kg)

REFER TO ARCHITECTURAL DRAWINGS			
EDONITE Load Bearing 10" Dia. Column			
SUBJECT	10" X 8" TUSCAN COLUMN ASSEMBLY		REVISIONS
PROJECT			01
CONTRACTOR			APPROVAL
ARCHITECT			SHEET NO.
ORDER NO.	DISTRIBUTION		1 OF 1
SCALE	1/12		
DRAWN BY			
DATE			