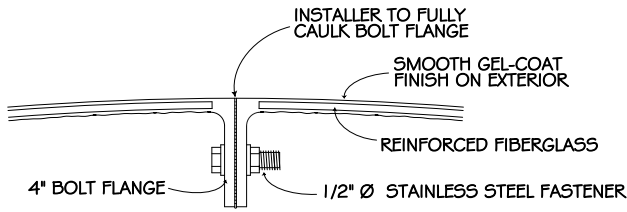
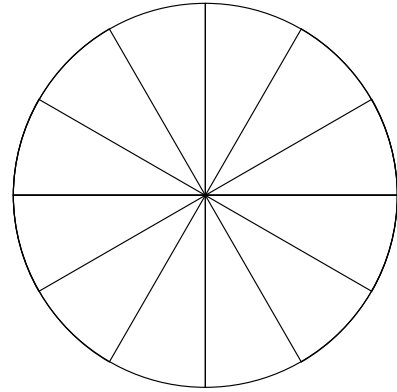


# EDON fiberglass

~ [www.edon.com](http://www.edon.com) ~

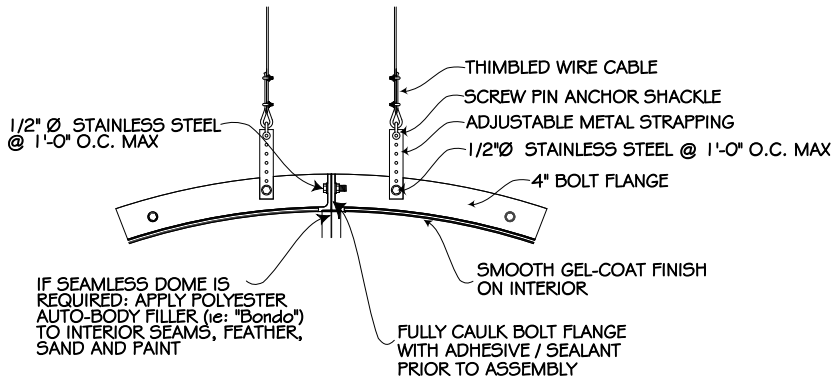


**BOLT FLANGE DETAIL**

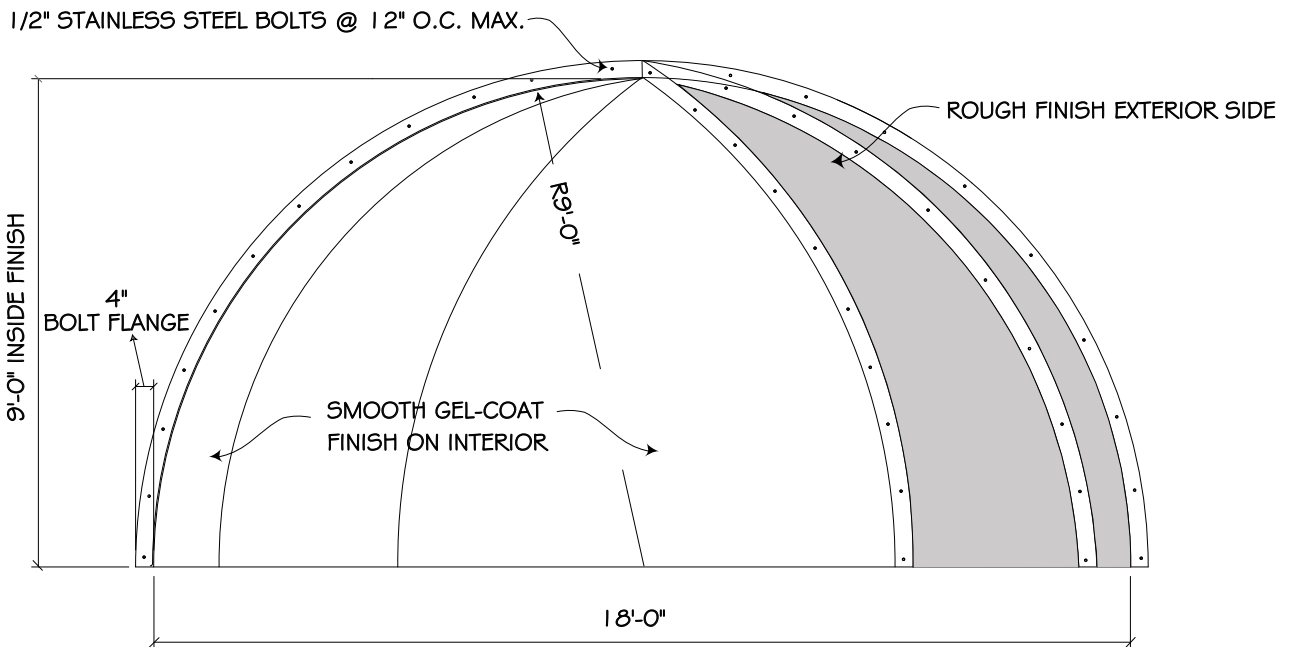


INTERIOR DOME IS SHIPPED UNASSEMBLED IN 12 PIE-SHAPED SECTIONS

**DOMES PLAN DETAIL**



**HANGING FLANGE DETAIL**



**SECTION / ELEVATION**

## EDI-500 INTERIOR FINISH CEILING DOME