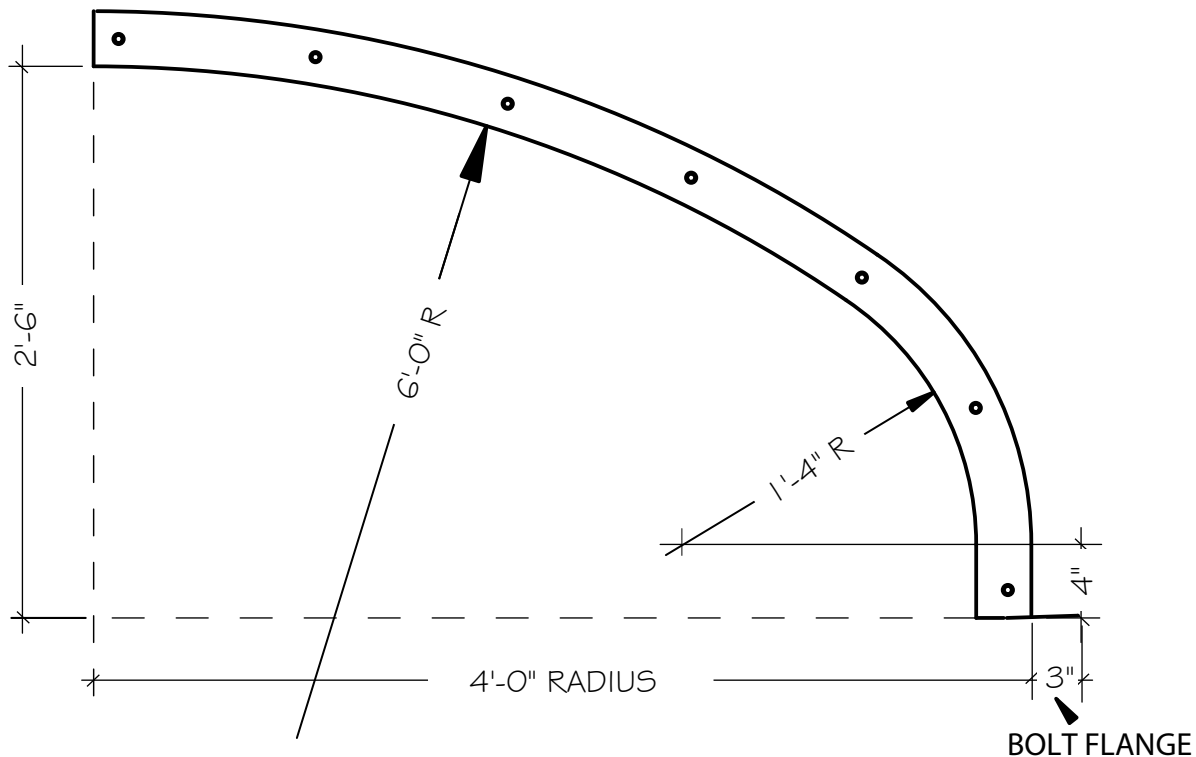
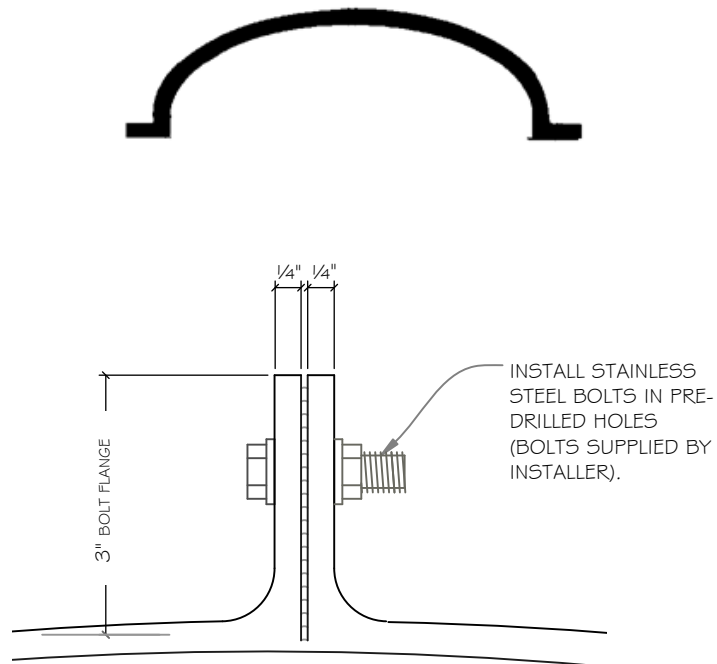
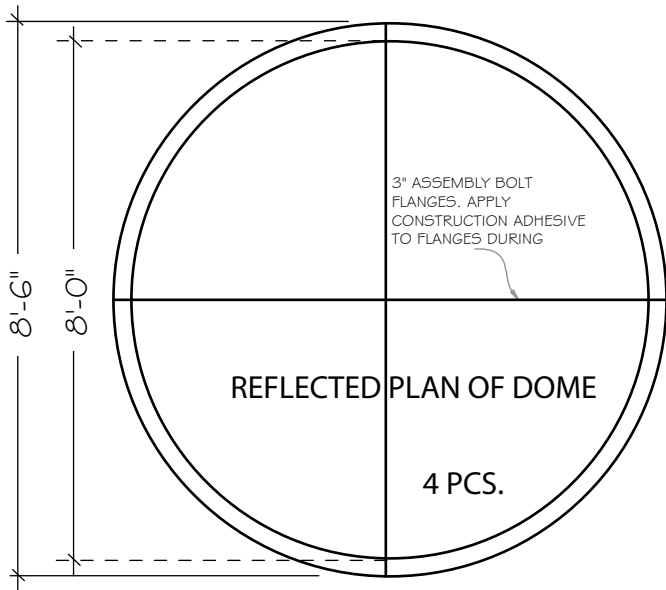


# EDON fiberglass

~ [www.edon.com](http://www.edon.com) ~



## EDI-503 INTERIOR 8' DIA. ELLIPTICAL DOME