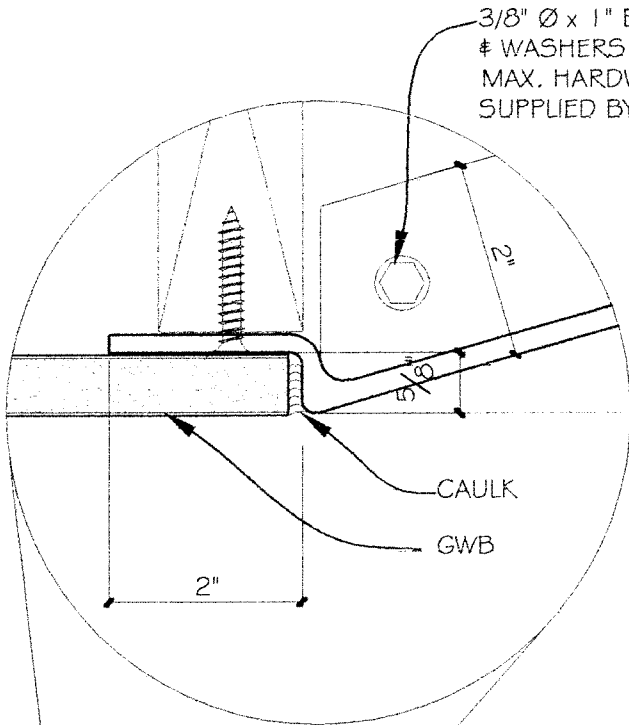


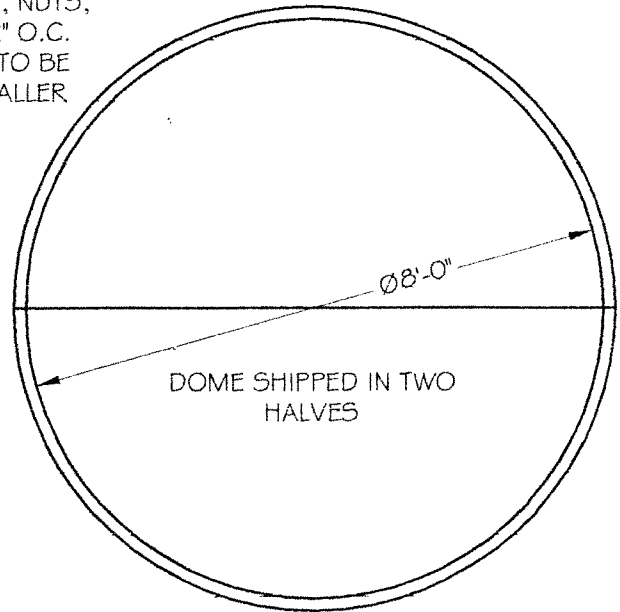
EDON fiberglass

NOTES:

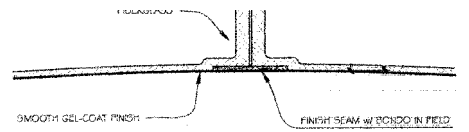
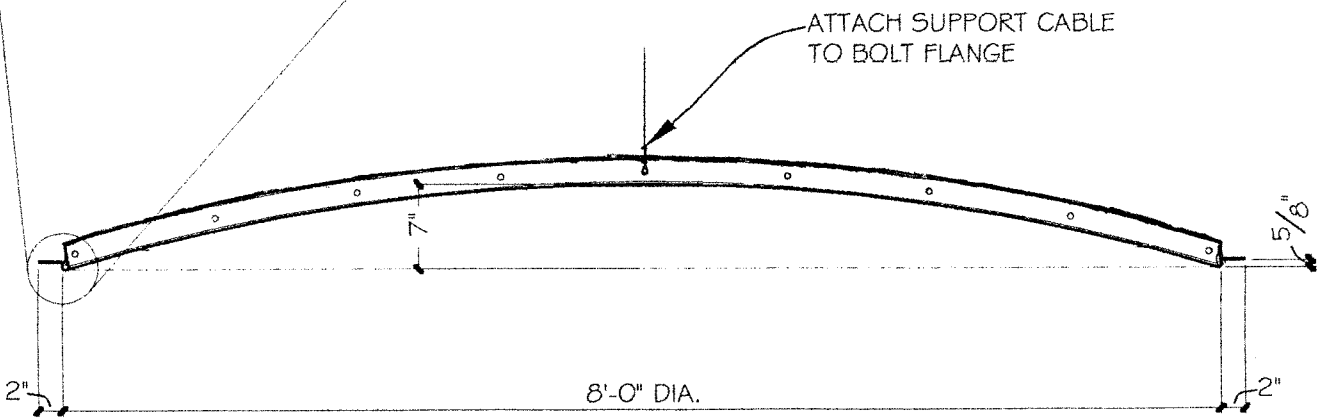
1). ALL BLOCKING, SUPPORT FRAMING, FASTENERS, BONDO, PAINTS AND SEALANTS SUPPLIED BY INSTALLER



3/8" Ø x 1" BOLTS, NUTS, & WASHERS @ 12" O.C. MAX. HARDWARE TO BE SUPPLIED BY INSTALLER



REFLECTED VIEW OF DOME



A BOLT FLANGE DETAIL
SCALE: 2" = 1'-0"

EDI-504 INTERIOR DOME