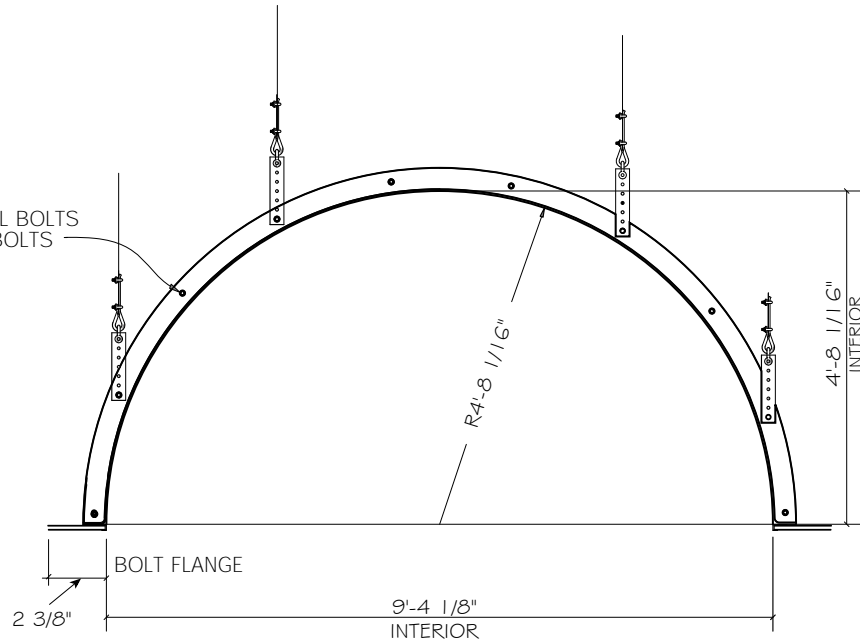


EDON fiberglass

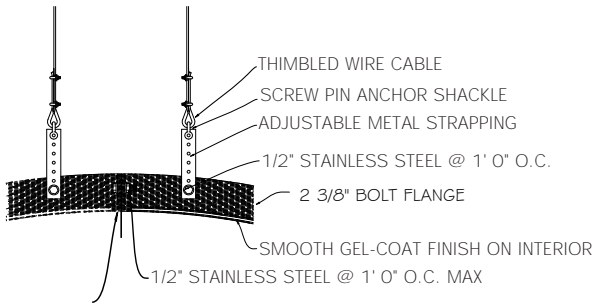
<http://www.edon.com>

INSTALL STAINLESS STEEL BOLTS IN PRE-DRILLED HOLES (BOLTS SUPPLIED BY INSTALLER).

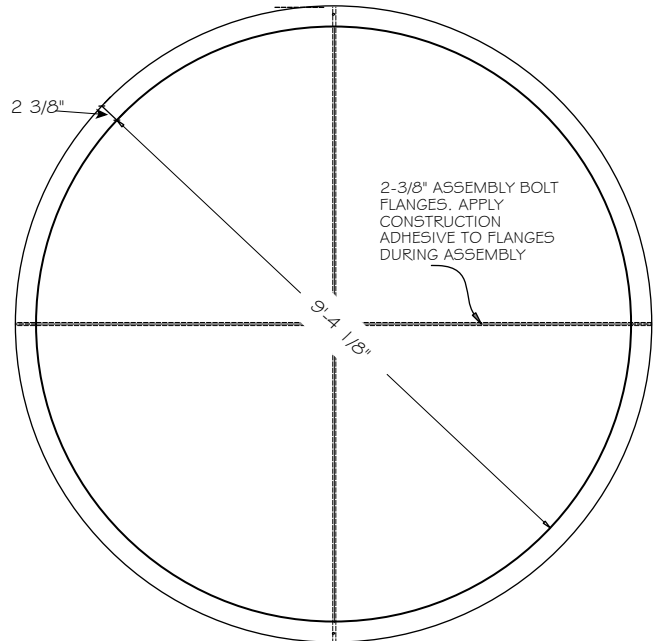


SECTION OF INTERIOR DOME

HANGING / FLANGE DETAIL



FULLY CAULK BOLT FLANGE W/ ADHESIVE



REFLECTED PLAN OF DOME

EDI-514

9' 4 1/8" DIA. INTERIOR DOME