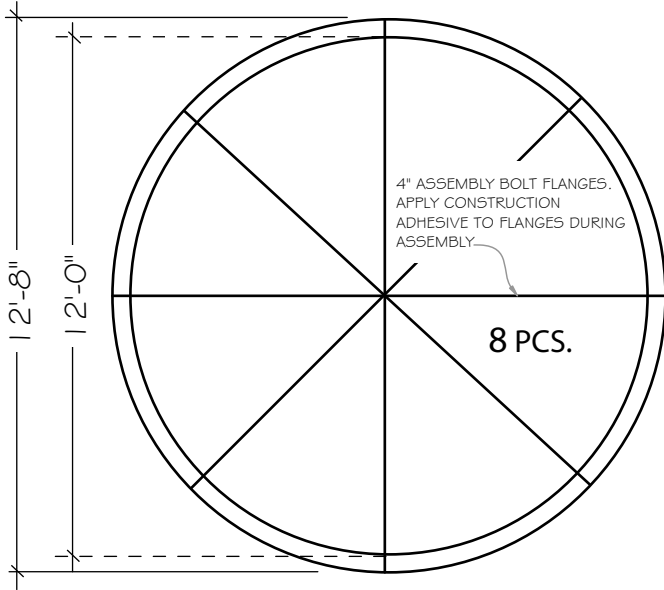
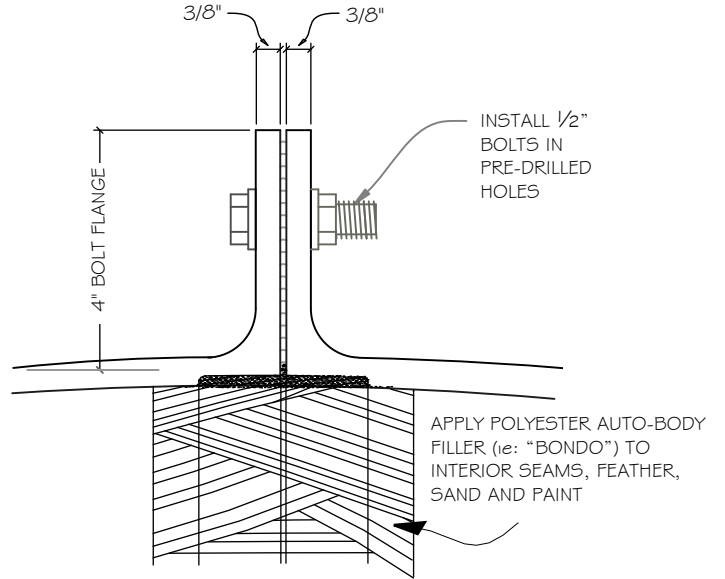


EDON fiberglass

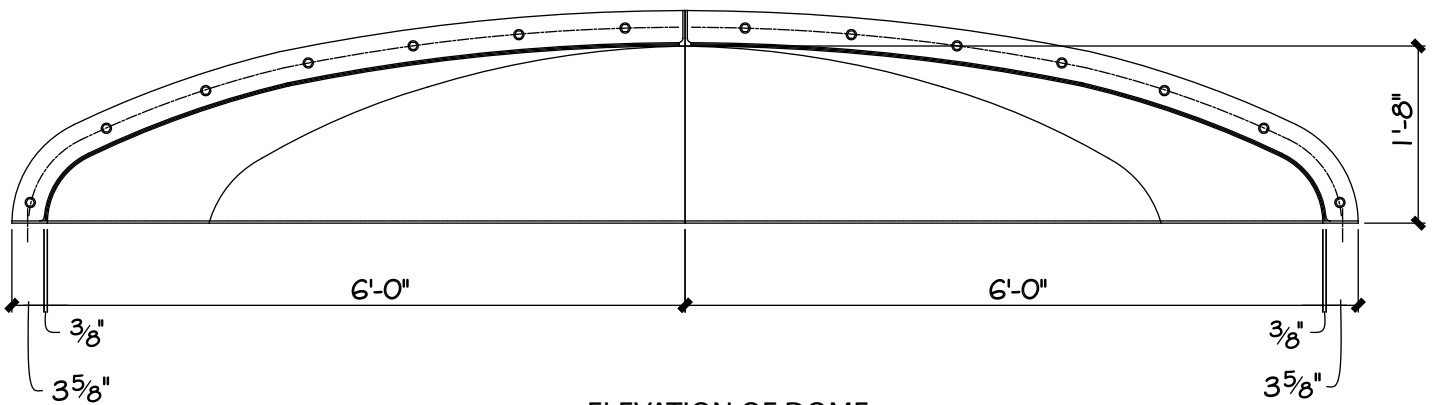
~ www.edon.com ~



REFLECTED PLAN OF DOME



BOLT FLANGE & SEAM DETAIL



ELEVATION OF DOME

EDI-519 INTERIOR 12' DIA. ELLIPTICAL DOME