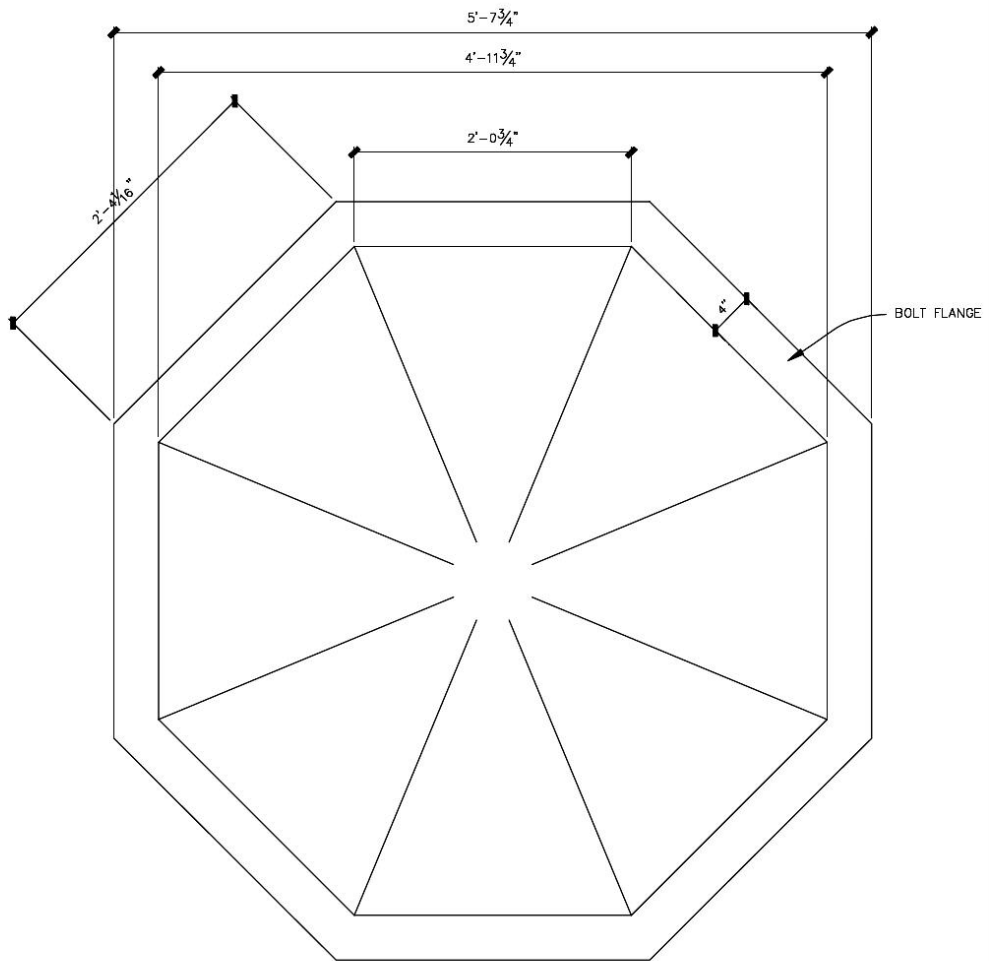
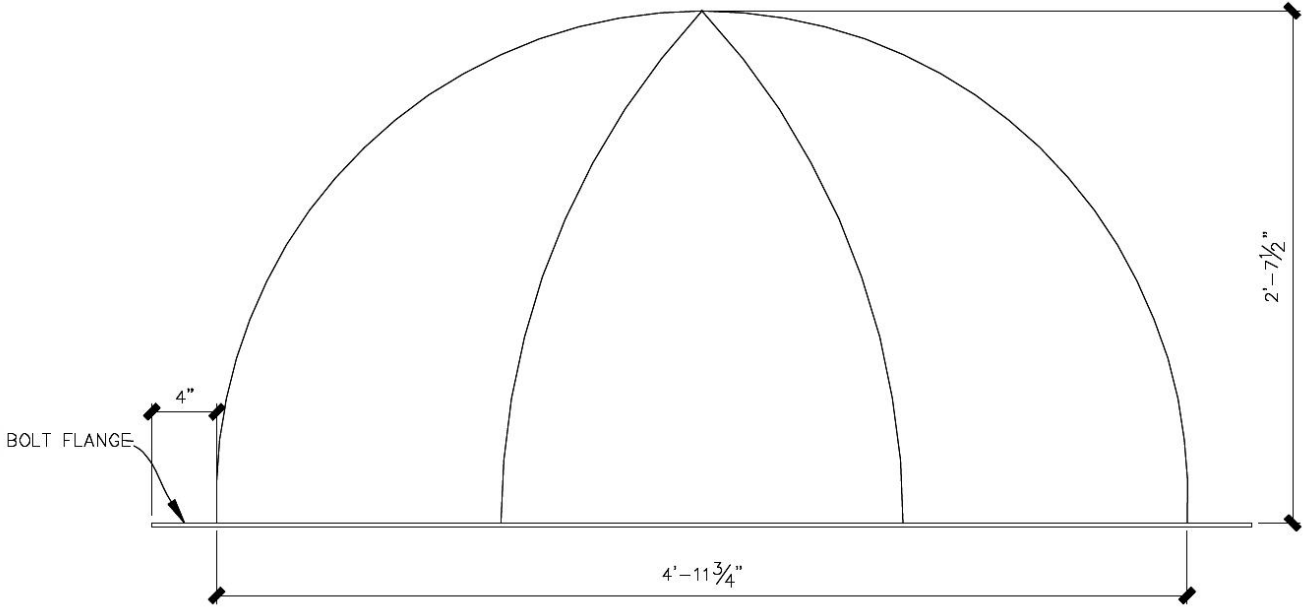


215/672-8050 FAX 215/672-9014

Edon Corp. 1160 Easton Rd., Horsham PA. 19044



EDO-515

5'- 7 3/4" Wide - Ornamental Hexagon Dome