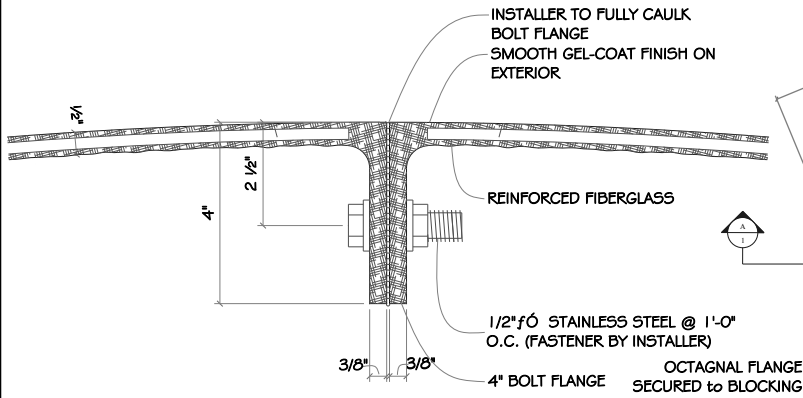


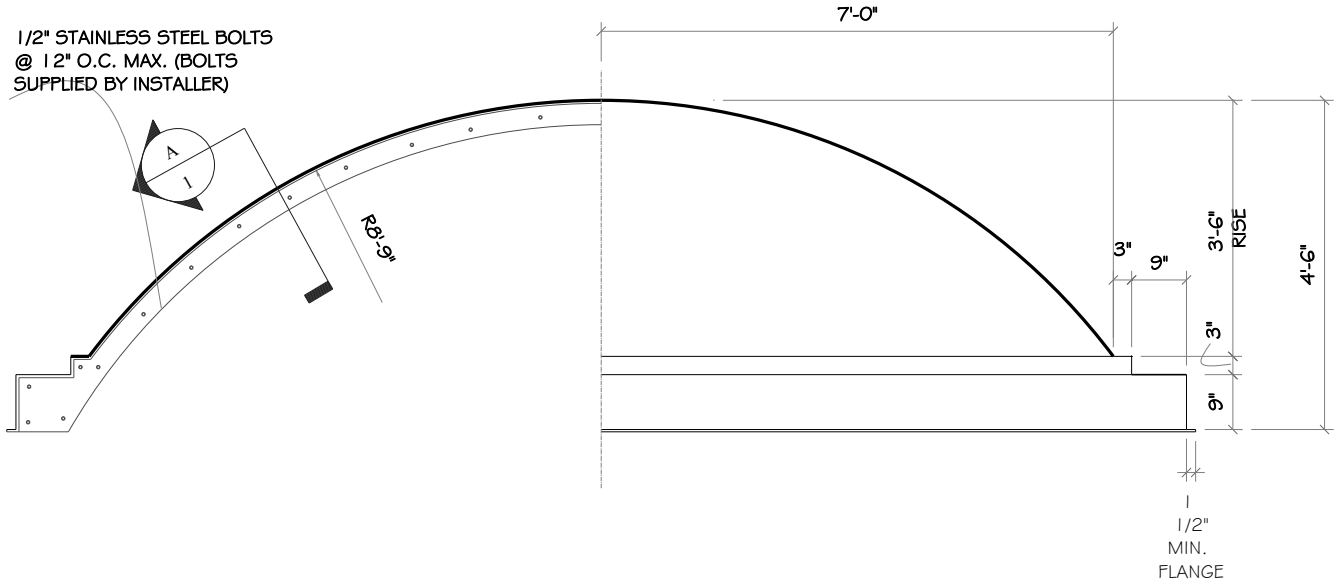
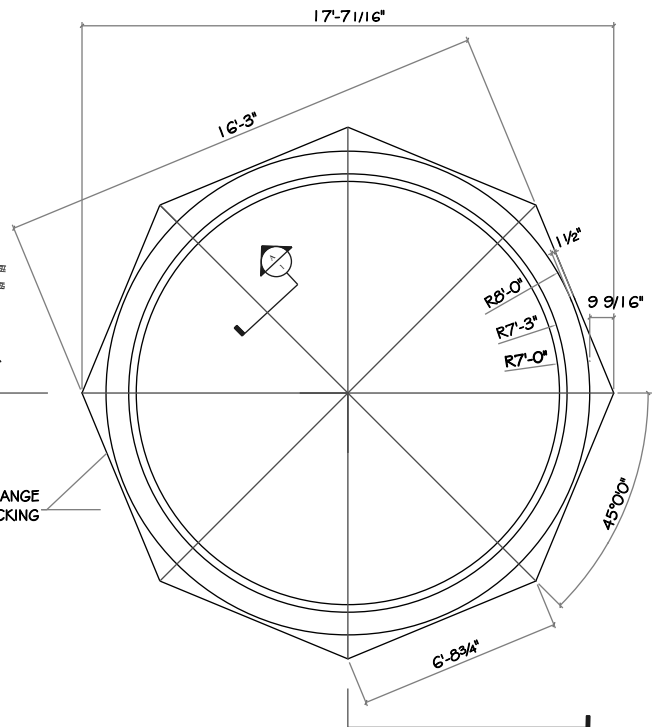
EDON fiberglass

~ www.edon.com ~

ALL SUPPORT FRAMING AND BLOCKING
SUPPLIED BY INSTALLER



A
1 BOLT FLANGE DETAIL



1
1 SECTION / ELEV. of DOME

EDO-521 EXTERIOR DOME