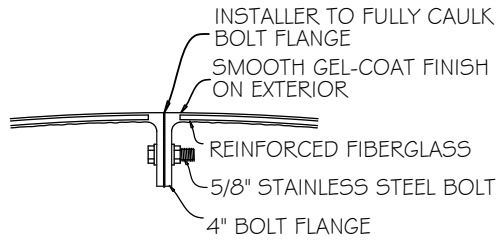
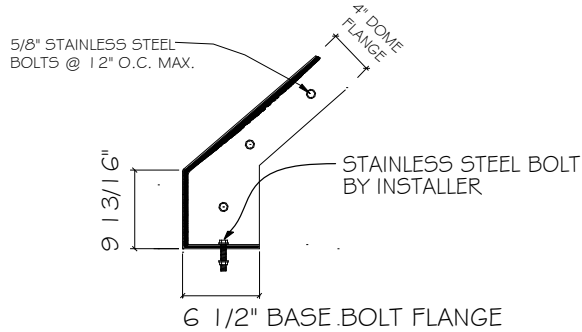


# EDON fiberglass

~ [www.edon.com](http://www.edon.com) ~

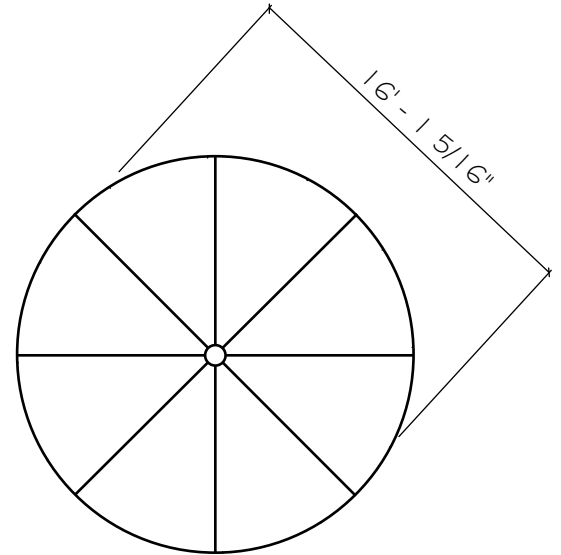


**BOLT FLANGE DETAIL**

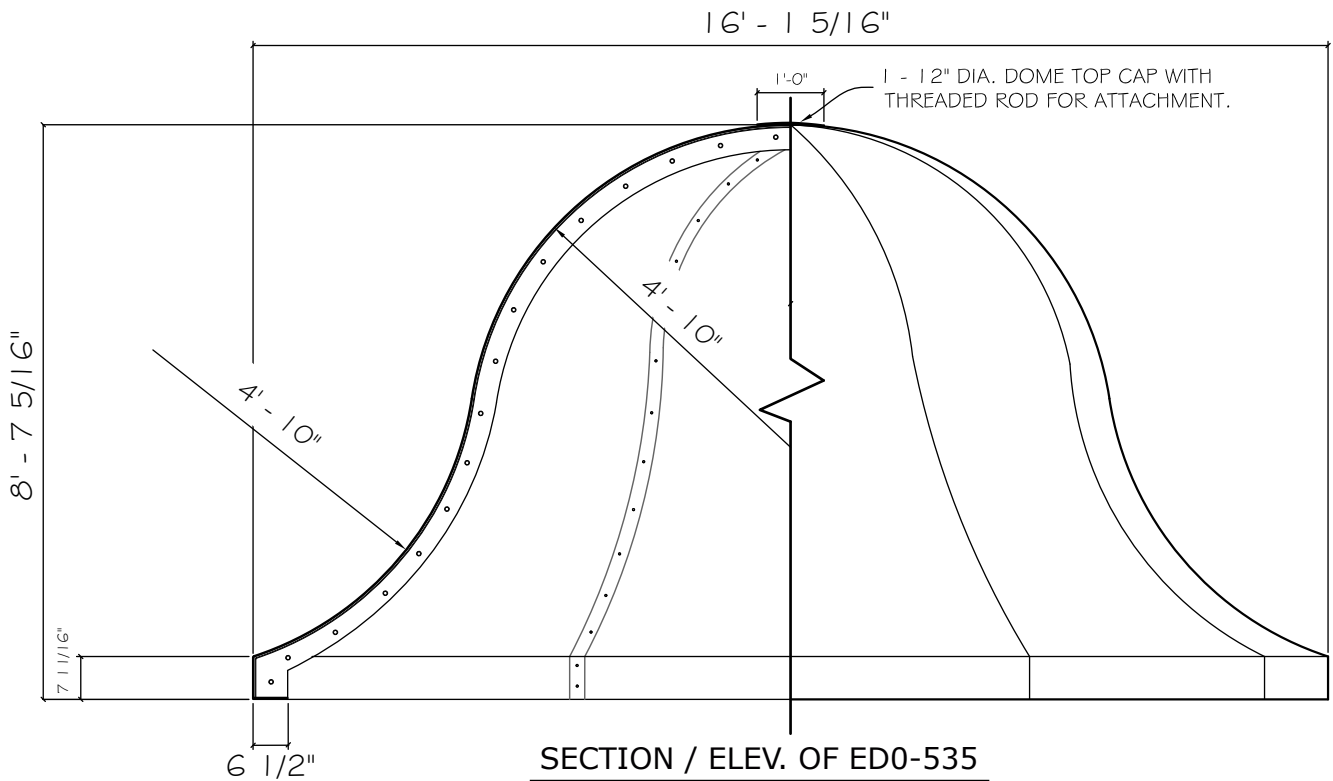


**BASE BOLT FLANGE DETAIL**

FRP DOME SHIPPED IN 8  
PIE -SHAPED SECTIONS  
FOR FIELD ASSEMBLY



**PLAN OF ED0-535 DOME**



## EDO-535 EXTERIOR BELL DOME