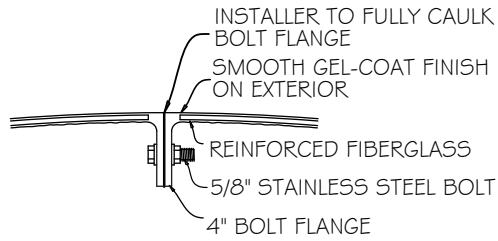
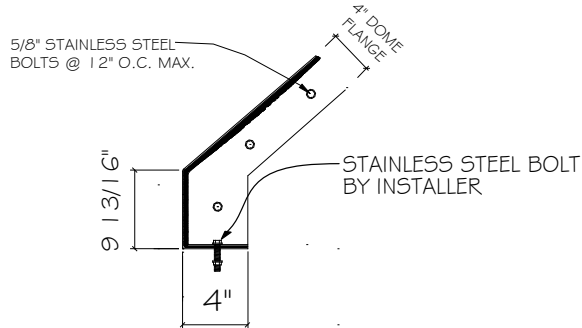


EDON fiberglass

~ www.edon.com ~

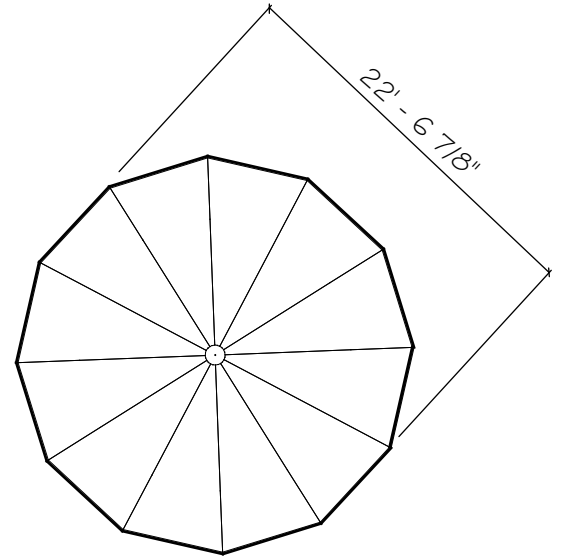


BOLT FLANGE DETAIL

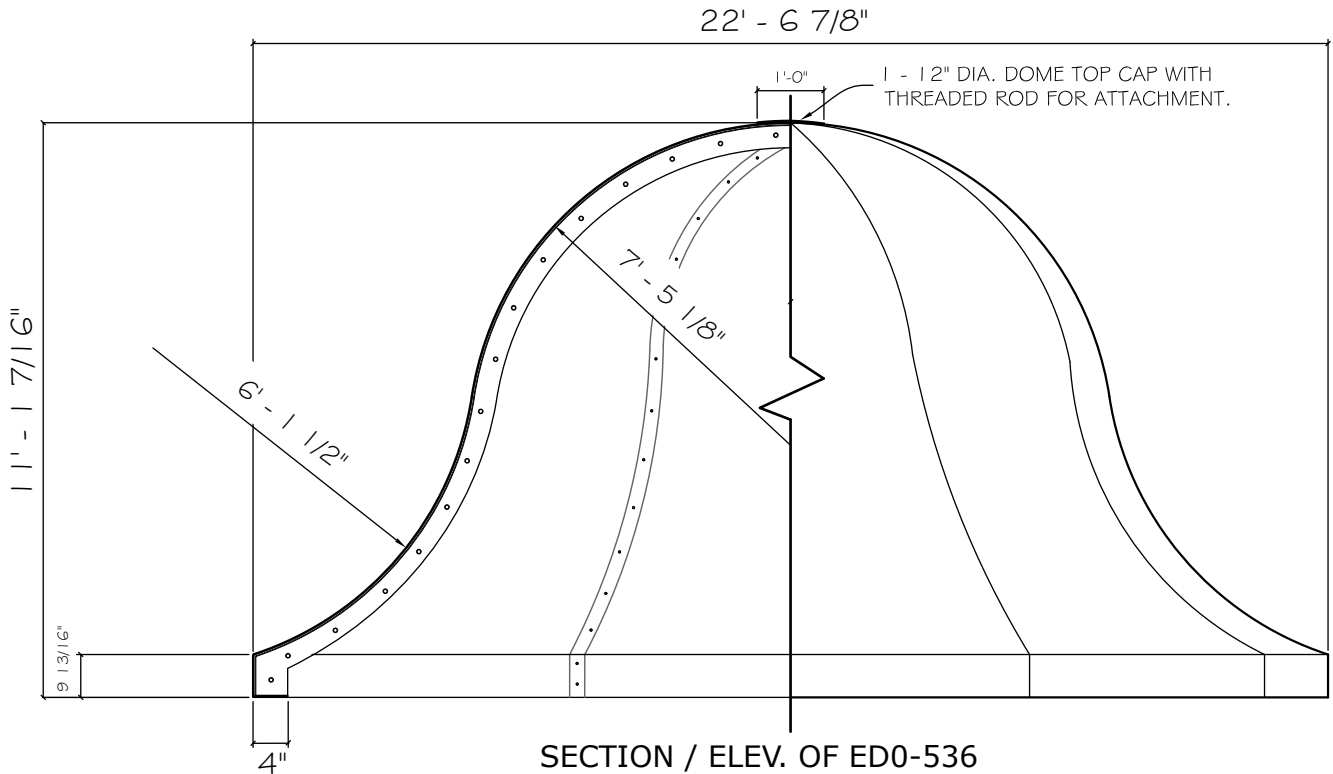


BASE BOLT FLANGE DETAIL

FRP DOME SHIPPED IN 12 PIE -SHAPED SECTIONS FOR FIELD ASSEMBLY



PLAN OF ED0-536 DOME



SECTION / ELEV. OF ED0-536

EDO-536 EXTERIOR BELL DOME