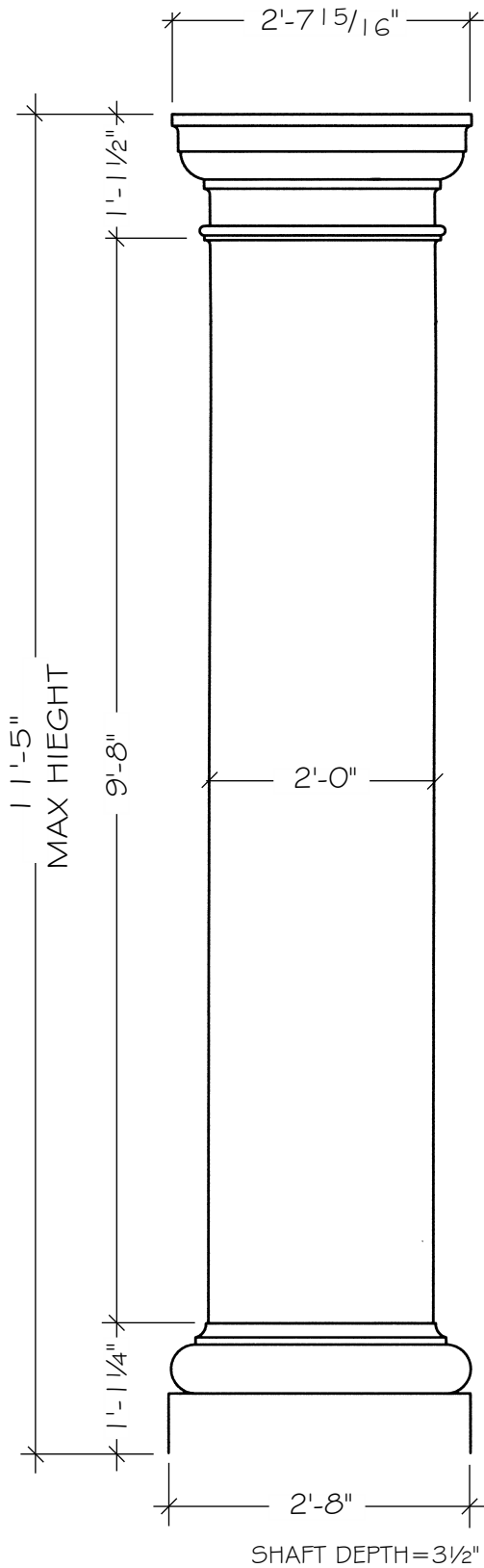


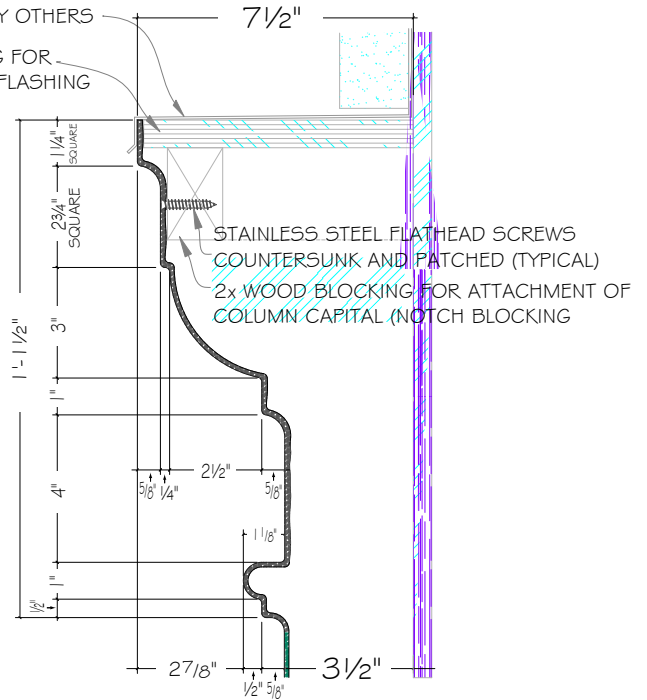
# EDON fiberglass

<http://www.edon.com>



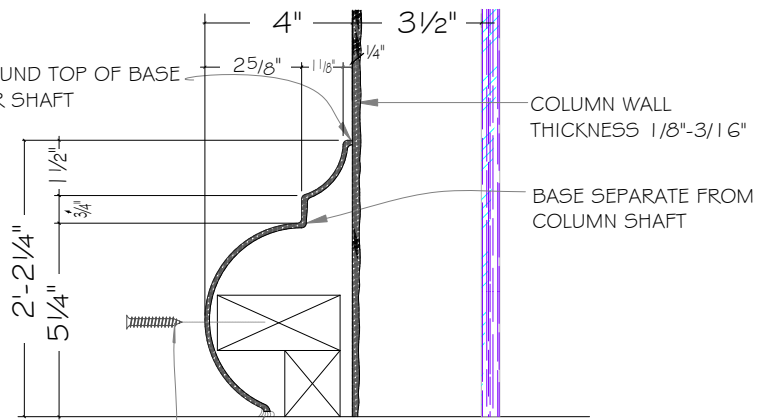
METAL FLASHING BY OTHERS

PLYWOOD FRAMING FOR ATTACHMENT AND FLASHING SUPPORT



SECTION @ PILASTER CAPITAL

CAULK AROUND TOP OF BASE @ PILASTER SHAFT



STAINLESS STEEL FLATHEAD SCREWS COUNTERSUNK AND PATCHED

PROVIDE SEALANT @ BASE

SECTION @ PILASTER BASE

## EP-123 TUSCAN PILASTER