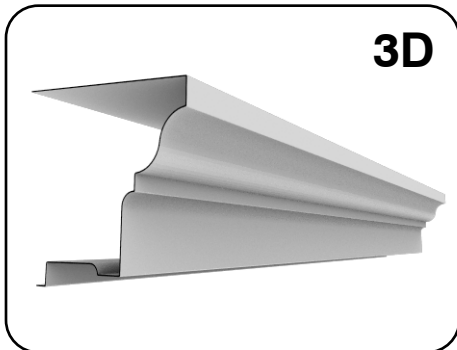


PDF	<b>MODEL: CR-227</b>
	<b>LENGTH: 8'-0"</b>

fiberglass

**EDON CORP.**  
 1160 EASTON RD.  
 HORSHAM, PA 19044  
 PH: 215/672-8050  
 TOLLFREE: 800/523-2539  
 FAX: 215/672-9014  
 EMAIL: info@edon.com  
 VISIT US @ www.edon.com



TO VIEW OUR CAD FILES IN .DWG FORMAT, VISIT US ONLINE AND FILL OUT A SHORT FORM TO GAIN ENTRY.